

# Turnstiles

turnstiles



Capacity  
Free entry

60  
pers/min



Passage  
width

550  
mm

**IdGates Turnstiles** is a small profile barrier system.

The fully automatic model is fitted with fast respond servo motor for automatic self rotating arms operation.

The semi-automatic model, with the same function, require the user to push the arm to gain access.

It is bi-directional and built to meet indoor and outdoor environment.

The series consists of **Tripod**, **Duopod**, **Monopod** and the wall mount **Skull** model.

**Tripod** – is with 3 arms at 120 degrees angle.

**Duopod** – is with 2 arms at 180 degrees angle.

**Monopod** – is with 1 arm suitable for wheelchair passage.

**Skull** – is with 3 arms, suitable for wall mount.

In the event of power failure or emergency; the arm will drop; to provide free passage.

The arm return to its normal position when power resume.

Choice of powder coated, polished stainless steel and brush stainless steel enclosure.

*picture is for illustration only*



# Turnstiles

*the turning point in  
entrance control*

turnstiles

## POWER FAILURE

- When power goes OFF both directions are free

## ELECTRICAL SPECIFICATION

- Voltage: - AC 100 - 240V, 50/60Hz
- DC source 12 V
- Maximum power 55 Watt

## MATERIAL

- Stainless steel housing and top
- Electromagnetic Locking Mechanism
- Servo Motor for fully automatic system model

## PEDESTAL DIMENSION

- Height – 932mm
- Width – 339mm
- Arm Length – 470mm

## BATTERY BACKUP 12V, 7AH

If supplied with backup battery, the battery will switch in during Mains AC failure and support normal operation for at least 2 hours.

## WEIGHT

Per pedestal – 40kg

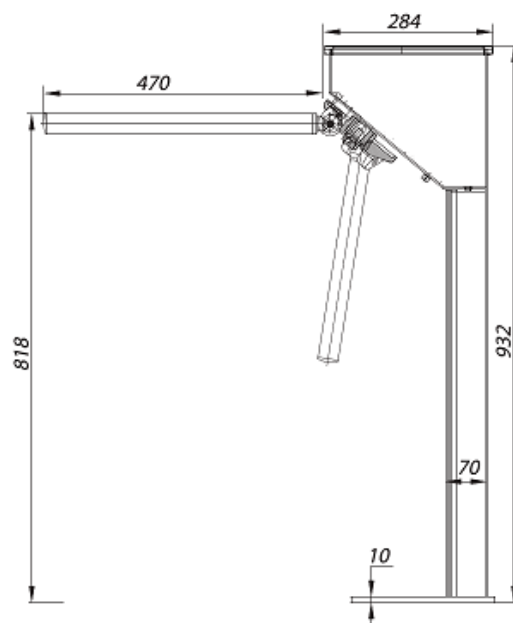
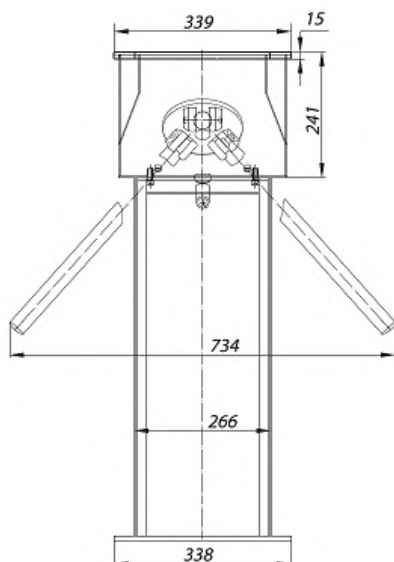
## OPTIONAL ITEM AVAILABLE

- Remote control unit
- Remote wireless control unit
- Backup battery 12V, 7Ah

## COUNTRY OF MANUFACTURE

- Country of origin – Europe
- Country of manufacture – Europe

## CE CERTIFIED



*dimension subject to change during order*