

*the turning point in  
entrance control*

# Full Height Turnstile Lite

full height turnstile lite



**IdGates Full Height Turnstiles Lite** is a light weight turnstile for easy installation and small packing for low cost transportation. It is the most common entry control barrier system seen at high security areas; constructed to withstand abuse of mass traffic flow with an affordable budget and minimum maintenance cost.

Non-motorised – hand push to access.

Available with **air-lock** function for higher security. Our registered air-lock function is an interlocking process; requiring two stage verifications to ensure only one person is passing.

CE certified; built for indoor and outdoor use.

## PRINCIPLE OF OPERATION

In CLOSE position, the Electromagnetic Locking device prevent the rotor gear from rotating. This keep the Turnstile in a close position, preventing unauthorized access.

Upon receiving command signal authorizing access:

- The locking device release the rotor gear
- Pedestrian push the rotor to gain access
- The rotor move by 120°
- The turnstile lock at close position after pedestrian has passed

*picture is for illustration only*



# Full Height Turnstile Lite

*the turning point in  
entrance control*

## POWER FAILURE

- When power goes OFF both directions are locked

## ELECTRICAL SPECIFICATION

- Voltage: - AC 100 - 240V, 50/60Hz
- DC source 12 V
- Maximum power 50 Watt

## MATERIAL

- Stainless Steel housing and rotor

## PEDESTAL DIMENSION

- Height – 2170mm
- Length – 1420mm
- Width – 1140mm

## BATTERY BACKUP 12V, 7AH

If supplied with backup battery, the battery will switch in during Mains AC failure and support normal operation for at least 2 hours.

## WEIGHT

Per pedestal – 168kg

## OPTIONAL ITEM AVAILABLE

- Manual unlock when no power
- Remote control unit
- Remote wireless control unit
- Backup battery 12V, 7Ah
- Protective canopy

## COUNTRY OF MANUFACTURE

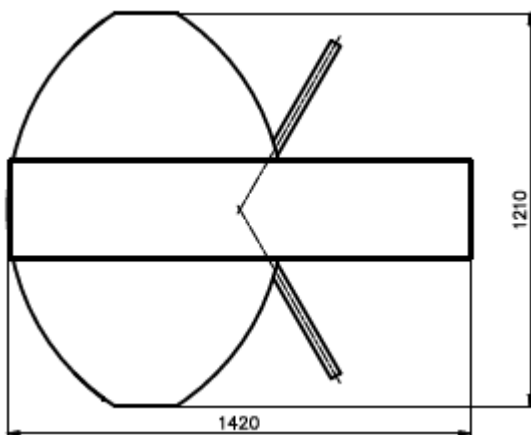
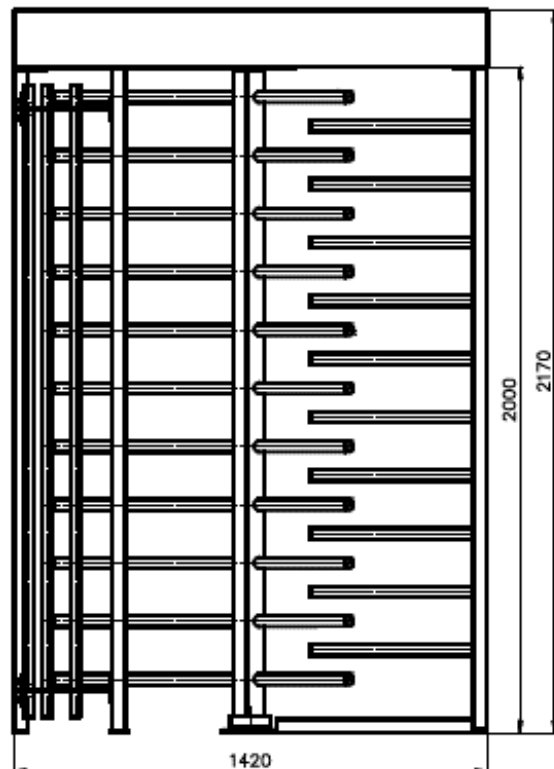
- Country of origin – Europe
- Country of manufacture – Europe

## CE CERTIFIED



### CONTROLLED BY

- reader/access control
- remote control manual/wireless



*dimension subject to change during order*

full height turnstile lite